



IP20 Class II (VI)

Product Features

- Meet medical & I.T.E. safety approvals
- 2 MOPP input to output isolation
- Leakage current $\leq 100\mu\text{A}$
- Energy efficiency level VI
- $\leq 0.075\text{W}$ standby power
- Up to 5,000m operating altitude
- USB-A port/ USB-C port / fixed cable design

Universal 10 Watt - UES10LZ1 -SPA
Universal 10 Watt - UES10LZ2 -SPA
Universal 15 Watts - UES15L -SPAZ
Universal 15 Watts - UES15L1 -SPAZ
Universal 15 Watts - UES15L3 -SPAZ


Models & Parameters

Model Number	Voltage	Current	Rated Power	Ripple & Noise (max)	Voltage Tolerance	Line & Load Regulation	Efficiency (Average)	Start Up Delay
UES10LZ1-SPA UES10LZ2-SPA	5.0	0.01-2.00	10.00W	200mVpk-pk	$\pm 5\%$	Line: $\pm 5\%$ Load: $\pm 5\%$	79%	$\leq 3\text{s}$
UES15L-SPAZ UES15L1-SPAZ UES15L3-SPAZ	5.0	0.01-3.00	15.00W	120mVpk-pk	$\pm 5\%$	Line: $\pm 5\%$ Load: $\pm 5\%$	81.84%	$\leq 3\text{s}$

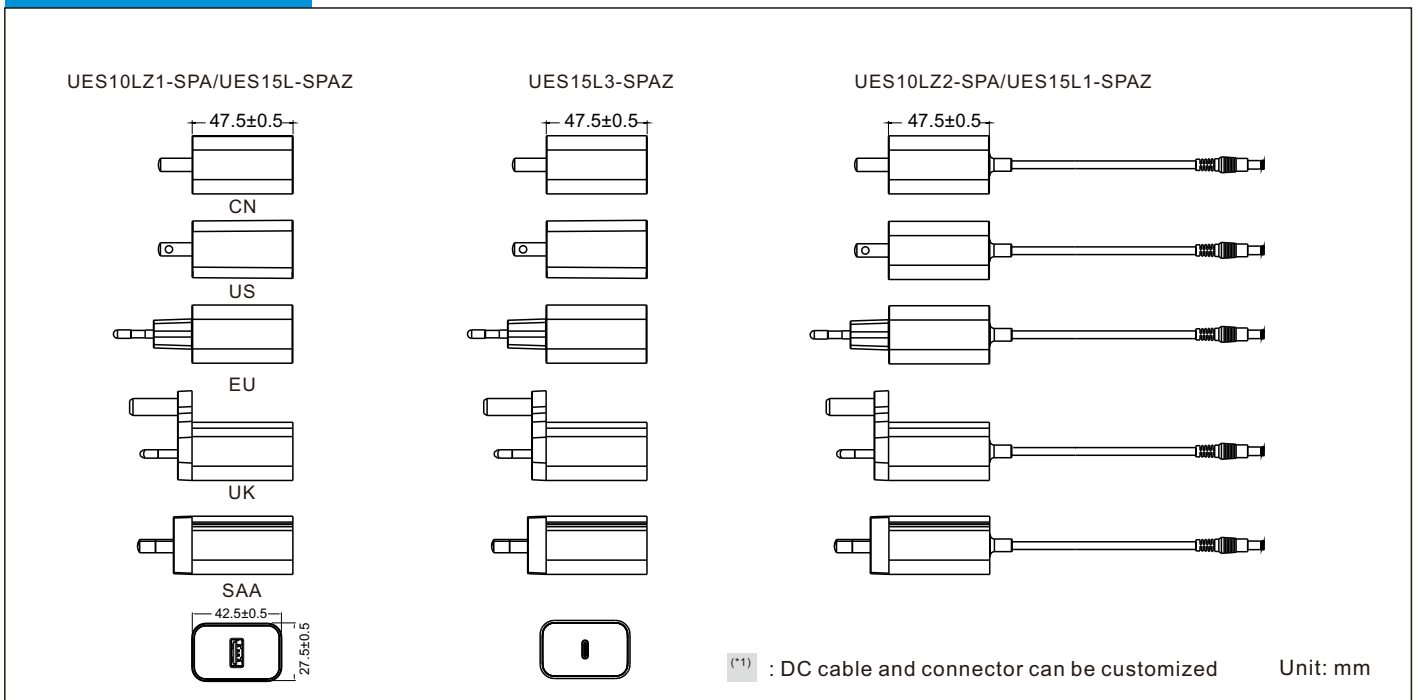
Model encoding:

Replace "Z" with "C" for fixed CHN AC plug

Replace "Z" with "V" for fixed EU AC plug

Replace "Z" with "U" for fixed US AC plug

Replace "Z" with "B" for fixed UK AC plug

Mechanical Details


Notes

(*1) Other options are available, please contact our sales representative for details.

Universal 10 Watt - UES10LZ1 -SPA
Universal 10 Watt - UES10LZ2 -SPA
Universal 15 Watts - UES15L -SPAZ
Universal 15 Watts - UES15L1 -SPAZ
Universal 15 Watts - UES15L3 -SPAZ

Input

Input Voltage Range	90-264VAC
Frequency Range	47-63Hz
Input Current	0.5A at 100VAC
Touch Leakage Current (max)	≤ 100µA at 264VAC

Environmental

Operating Temperature	0°C to 40°C
Storage Temperature	-20°C to 60°C
Operating Humidity	10% to 90% RH, non-condensing
Storage Humidity	5% to 90% RH
Operating Altitude	5,000m

General

Dimensions	47.5(L) 42.5(W) 27.5(H)mm
Weight	50g
MTBF	>100,000hrs Telcordia_SR-332 at 25°C

Protection

Overload	200%max , auto recovery
Over Voltage	150%max , auto recovery
Short Circuit	Auto recovery

Safety Approvals

Safety Agency / Mark	Medical	ITE
CB	IEC60601-1	-
CQC	GB9706.1	-
CE	-	EN62368-1
NRTL	ANSI/AAMI ES60601-1:2005/A2:2021	-
TUV/MARK	EN60601-1	-
CCC	-	GB4943.1

EMC

Emission	Medical	ITE
Conduction	IEC/EN60601-1-2,CISPR 11	EN55032,CISPR 32
Radiation	IEC/EN60601-1-2,CISPR 11	EN55032,CISPR 32
Harmonic Currents	EN61000-3-2, Class A	EN61000-3-2, Class A
Voltage Flicker	EN61000-3-3	EN61000-3-3
Immunity	IEC/EN60601-1-2	EN55035, CISPR 35
ESD	IEC61000-4-2	±15KV air, ±8KV contact
Radiated Immunity	IEC61000-4-3	10V/m ,3V/m 80MHz - 2.7GMHz
EFT/Burst	IEC61000-4-4	±2KV on AC port, ±1KV on signal ports
Surge	IEC61000-4-5	±1KV line to line (DM)
Conducted Immunity	IEC61000-4-6	3Vrms, 6Vrms (0.15MHz-80MHz)
Magnetic Field	IEC61000-4-8	30 A/m
Dips & Interruptions	IEC61000-4-11	0%, 70%, 0% of UT

Others

Dielectric Withstand Voltage	4000VAC input to output
Insulation Resistance	10M Ohms, 500VDC input to output