

## LED Driver UE020LCP/UE020LCP1 Series

### Features

- ◆ Wide range of AC input voltage 90-264VAC
- ◆ Protections against: short circuit/over current
- ◆ IP20 design for indoor application
- ◆ Non constant current function
- ◆ Meets ERP(EU)2019/2020 energy efficiency standard
- ◆ Changeable AC plugs for universal use
- ◆ Output match DC Jack/DC Cable
- ◆ Fireproof plastic housing



UE020LCP

UE020LCP1

Input Voltage Range	90-264VAC	Standby Power	≤ 0.3W
Efficiency	≥ 82%(Typ)	Humidity	5~95% RH
		MTBF	≥ 100,000 hours, MIL-HDBK-217F(25°C)
Operation Temperature	0~40°C	Safety Standard	CCC(GB19510), cULus(UL8750), CE(EN613471), FCC(Part 15), EAC(IEC61347-1), PSE(J61347-1), KC(KC61347-1), RCM(AS/NZS61347), TUV-GS(EN61347)
Storage Temperature	-25~70°C	EMC Standard	EN55015(230Vac)/FCC Part 15(115Vac)
Weight	150g	Dimensions	UE020LCP: 100.0mm (L) × 47.0mm (W) × 38.5mm (H)
			UE020LCP1: 100.0mm (L) × 47.0mm (W) × 38.5mm (H)
Applications	Indoor lamps , LED Driver		

### Products

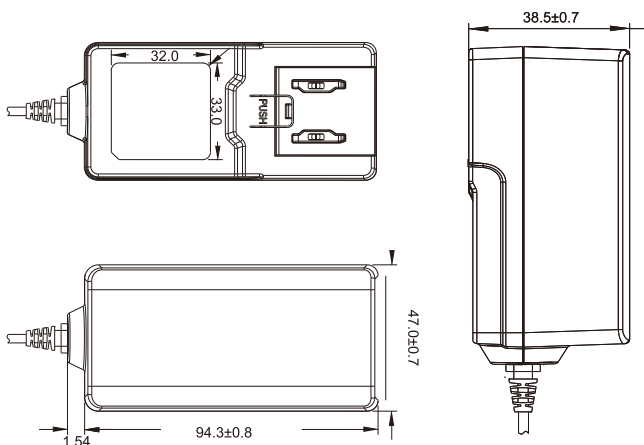
#### UE020LCP1(20W)



Series	Model	Output	Voltage Range	Eff.	Ripple
C.V. Mode	UE020LCP-XXXXYYSPA UE020LCP1-XXXXYYSPA	9V, 0-2.00A	±6%	77.40%	240mV
		10V~12V, 0-1.5A	±5%	73.00%	240mV
		13~15V, 0-1.3A	±5%	77.40%	240mV
		18V~24V, 0-0.83A	±5%	82.00%	240mV

### Mechanical Drawings

UE020LCP



UE020LCP1

