



Product Features

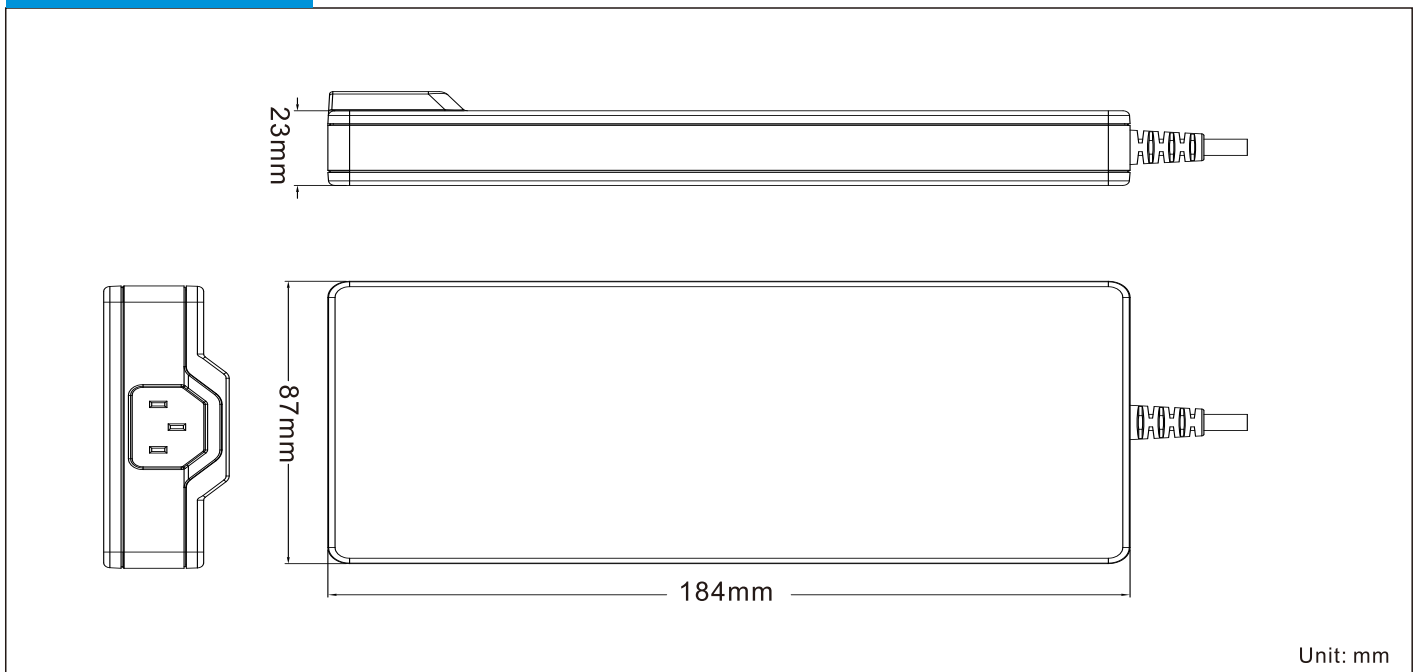
- Meets medical safety approvals
- 2 MOPP input to output isolation
- Touch current $\leq 100\mu\text{A}$
- Energy efficiency level VI
- $\leq 0.5\text{W}$ standby power
- Peak load: 120% rated load(1s)
- Up to 5,000m operating altitude
- Windless design features, natural air cooling


UES300AZ-XXXYYY-SPA

Models & Parameters

Model Number	Voltage ^(*) (V)	Current (A)	Rated Power	Ripple & Noise _(max) ^(*) _(*)	Voltage Tolerance	Line & Load Regulation	Efficiency (Average)	Start Up Delay
UES300AZ-190F70-SPA	19.00V	0-15.7A	300.0W	190mVpk-pk		Line: $\pm 1\%$	90.0%	
UES300AZ-240C50-SPA	24.00V	0-12.5A	300.0W	240mVpk-pk	$\pm 5\%$	Load: $\pm 5\%$	90.0%	$\leq 3\text{s}$
UES300AZ-480630-SPA	48.00V	0-6.3A	300.0W	480mVpk-pk			90.0%	

Mechanical Details



Notes

(*1, 3, 4, 5) Other options are available, please contact our sales representative for details.

(*2) Measured at output connector with 20MHz bandwidth and 0.1uF ceramic in parallel with 10uF electrolytic capacitors

Input

Input Voltage Range	90-264VAC(90-115VAC refer to derating curve)
Frequency Range	47-63Hz
Input Current	4.0A max at 100VAC
Inrush Current	120A max at 240VAC cold start
Touch Leakage Current (max)	≤ 100μA at 264VAC

Environmental

Operating Temperature	0°C to 30°C
Storage Temperature	-25°C to 70°C
Operating Humidity	5% to 90% RH, non-condensing
Storage Humidity	5% to 95% RH
Operating Altitude	5000m

General

Dimensions	184.7(L)x87.0(W)x23.0(H)mm
Weight	750g
MTBF	>200,000hrs MIL-HDBK-217 at 25°C

Protection

Overload	125-150% rated output power, auto recovery
Over Voltage	120-150% rated output voltage input to reset
Short Circuit	Trip and restart (hiccup mode)

Safety Approvals

Safety Agency / Mark	Medical (meet)	ITE (meet)
CB	IEC60601-1	IEC60950-1 IEC62368-1
UL	-	UL62368-1
TÜV Mark	EN60601-1	-
CCC	-	GB4943.1
CE	-	EN62368-1

EMC

Emission	Medical	ITE
Conduction	IEC/EN60601-1-2, CISPR 11	EN55032
Radiation	IEC/EN60601-1-2, CISPR 11	EN55032
Harmonic Currents	EN61000-3-2, Class A	EN61000-3-2, Class A
Voltage Flicker	EN61000-3-3	EN61000-3-3
Immunity	Medical	ITE
ESD	IEC61000-4-2	EN55035, CISPR 35
Radiated Immunity	IEC61000-4-3	±15KV air, ±8KV contact
EFT/Burst	IEC61000-4-4	10V/m, 3V/m 80MHz - 2.7GMHz
Surge	IEC61000-4-5	±2KV on AC port, ±1KV on signal ports
Conducted Immunity	IEC61000-4-6	ports ±1KV line t-line, ±2KV line-PE
Magnetic Field	IEC61000-4-8	3Vrms, 6Vrms (0.15MHz-80MHz)
Dips & Interruptions	IEC61000-4-11	30 A/m
		0%, 70%, 0% of UT

Others

Dielectric Withstand Voltage	4000VAC input to output
Insulation Resistance	100M Ohms, 500VDC input to output

Derating Curve
