



IP22 Class I & II (VI)

**Product Features**

- Medical & I.T.E. safety approvals
- 2 MOPP input to output isolation
- Leakage current ≤ 100µA
- Earth Leakage current ≤ 5mA
- PF>0.95@230VAC full load
- 11V-56V outputs, up to 180W
- Up to 5,000m operating altitude
- Energy efficiency level VI  
(≤ 0.21W standby power when output voltage > 19V)
- CoC V5 Tier2  
(≤ 0.15W standby power when output voltage ≤ 19V)

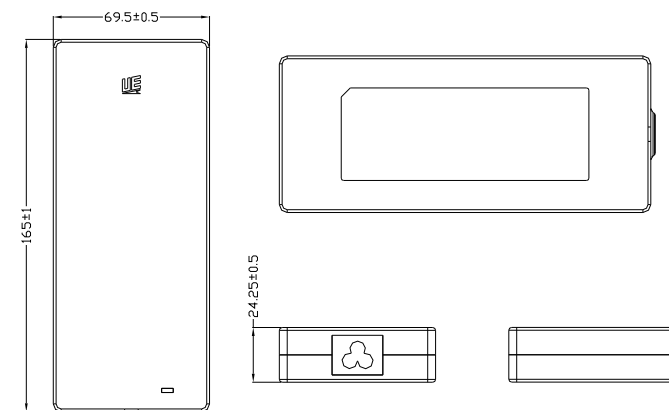


**Models & Parameters**


Model Number	Voltage <sup>(*)</sup> (V)	Current (A)	Rated Power	Ripple & Noise (max)	Voltage Tolerance	Line & Load Regulation	Efficiency	Start Up Delay
UES180D"Z"-XXXXYYSPA	11.0-12.0	0.01-12.50	150.00W	150mVpk-pk	±5%	Line: ±1% Load: ±5%	92.0%	≤3s
	12.1-13.0	0.01-11.53	150.00W	150mVpk-pk	±5%		92.0%	≤3s
	13.1-14.0	0.01-10.71	150.00W	150mVpk-pk	±5%		92.0%	≤3s
	14.1-15.0	0.01-10.00	150W	150mVpk-pk	±5%		92.0%	≤3s
	18.1-19.0	0.01-9.47	180W	180mVpk-pk	±5%		93.0%	≤3s
	19.1-20.0	0.01-9.00	180W	190mVpk-pk	±5%		93.0%	≤3s
	20.1-21.0	0.01-8.57	180W	200mVpk-pk	±5%		93.0%	≤3s
	21.1-22.0	0.01-8.18	180W	210mVpk-pk	±5%		93.0%	≤3s
	22.1-23.0	0.01-7.82	180W	220mVpk-pk	±5%		93.0%	≤3s
	23.1-24.0	0.01-7.50	180W	230mVpk-pk	±5%		93.0%	≤3s
	24.1-25.0	0.01-7.20	180W	240mVpk-pk	±5%		93.0%	≤3s
	25.1-26.0	0.01-6.92	180W	250mVpk-pk	±5%		93.0%	≤3s
	35.1-36.0	0.01-5.00	180W	260mVpk-pk	±5%		93.0%	≤3s
	36.1-37.0	0.01-4.86	180W	270mVpk-pk	±5%		93.0%	≤3s
	37.1-38.0	0.01-4.73	180W	300mVpk-pk	±5%		94.0%	≤3s
	38.1-39.0	0.01-4.61	180W	300mVpk-pk	±5%		94.0%	≤3s
	39.1-40.0	0.01-4.50	180W	300mVpk-pk	±5%		94.0%	≤3s
	47.1-48.0	0.01-3.75	180W	300mVpk-pk	±5%		94.0%	≤3s
	48.1-49.0	0.01-3.67	180W	300mVpk-pk	±5%		94.0%	≤3s
	49.1-50.0	0.01-3.60	180W	400mVpk-pk	±5%		94.0%	≤3s
	50.1-51.0	0.01-3.52	180W	400mVpk-pk	±5%		94.0%	≤3s
	51.1-52.0	0.01-3.46	180W	400mVpk-pk	±5%		94.0%	≤3s
	52.1-53.0	0.01-3.39	180W	400mVpk-pk	±5%		94.0%	≤3s
	53.1-54.0	0.01-3.33	180W	400mVpk-pk	±5%		94.0%	≤3s
	54.1-55.0	0.01-3.27	180W	400mVpk-pk	±5%		94.0%	≤3s
	55.1-56.0	0.01-3.21	180W	400mVpk-pk	±5%		94.0%	≤3s

Model encoding: replace "Z" with "1" for C8 (Class II), "2" for C6 (Class I) AC inlets


**Mechanical Details**



Interchangeable AC Plug Options

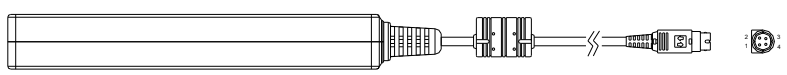


C8(D1)



C6(D2)

DC cable and connector can be customized.



Unit: mm

**Notes**

(\*1) Other options are available, please contact our sales representative for details.

**Input**

Input Voltage Range	90-264VAC (Class I); 80-264VAC (Class II)
Frequency Range	47-63Hz
Input Current	3.0A at 80/90VAC
Inrush Current	120A max at 240VAC cold start
Touch Leakage Current <sup>(max)</sup>	< 100µA at 264VAC

**Environmental**

Operating Temperature	-10°C to 40°C
Storage Temperature	-20°C to 60°C
Operating Humidity	10% to 90% RH, non-condensing
Storage Humidity	5% to 90% RH
Operating Altitude	5,000m

**General**

Dimensions	165(L) 69.5(W) 24.25(H)mm
Weight	800g
MTBF	>100,000hrs MIL-HKPK-217 at 25°C

**Protection**

Overload	120-170% rated output power, auto recovery
Over Voltage	120-150% rated output voltage input to reset
Short Circuit	Trip and restart (hiccup mode)

**Safety Approvals**

Safety Agency / Mark	Medical	ITE
CB	IEC60601-1 / IEC60601-1-11	IEC62368-1
UL	ANSI/AAMI ES60601-1 / 60601-1-11 CAN/CSA-C22.2 NO. 60601-1	UL62368-1
TUV Rheinland/Mark	EN60601-1 EN60601-1-11	-
TUV Rheinland/GS	-	EN62368-1
CE	-	EN62368-1
CCC	-	GB4943.1
FCC	-	FCC PART 15

**EMC**

Emission	Medical	ITE
Conduction	IEC/EN60601-1-2, CISPR 11	EN55032, CISPR 32
Radiation	IEC/EN60601-1-2, CISPR 11	EN55032, CISPR 32
Harmonic Currents	IEC/EN61000-3-2, Class A	EN61000-3-2, Class A
Voltage Flicker	EN61000-3-3	EN61000-3-3
Immunity	IEC/EN60601-1-2	EN55035, CISPR 35
ESD	IEC61000-4-2	±15KV air, ±8KV contact
Radiated Immunity	IEC61000-4-3	10V/m, 3V/m 80MHz - 2.7GMHz
EFT/Burst	IEC61000-4-4	±2KV on AC port, ±1KV on signal ports
Surge	IEC61000-4-5	±2KV line to line (DM)
Conducted Immunity	IEC61000-4-6	3Vrms, 6Vrms (0.15MHz-80MHz)
Magnetic Field	IEC61000-4-8	30 A/m
Dips & Interruptions	IEC61000-4-11	0%, 70%, 0% of UT

**Others**

Dielectric Withstand Voltage	4000VAC input to output
Insulation Resistance	10M Ohms, 500VDC input to output