


Product Features

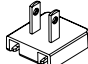
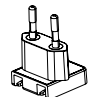

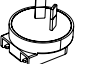

- Medical & ITE safety approvals
- 2 MOPP input to output isolation
- Leakage current $\leq 100\mu\text{A}$
- Energy efficiency level VI
- $\leq 0.075\text{W}$ standby power
- 5V to 48V outputs, up to 36W
- Up to 5,000m operating altitude


Models & Ratings

Model Number	Voltage (V)	Current (A)	Rated Power (max)	Ripple & Noise (max)	Voltage Tolerance	Line & Load Regulation	Efficiency (Average)	Start Up Delay (@115V&230V)
UES36LCP2-XXXYYYYSPA	5.0	0.01-6.00	30.0W	200mVpk-pk	$\pm 8\%$	Line: $\pm 1\%$ Load: $\pm 5\%$	85.00%	$\leq 3\text{s}$
	5.1-5.9	0.01-5.00	30.0W	200mVpk-pk	$\pm 5\%$		88.30%	$\leq 3\text{s}$
	7.5-14.0	0.01-4.00	36.0W	200mVpk-pk	$\pm 5\%$		88.30%	$\leq 3\text{s}$
	14.1-21.0	0.01-2.40	36.0W	200mVpk-pk	$\pm 5\%$		88.30%	$\leq 3\text{s}$
	21.1-30.0	0.01-1.63	36.0W	200mVpk-pk	$\pm 5\%$		88.30%	$\leq 3\text{s}$
	30.1-48.0	0.01-1.16	36.0W	300mVpk-pk	$\pm 5\%$		88.30%	$\leq 3\text{s}$

Mechanical Details

Interchangeable AC Plug Options

US/Japan
Europe
UK
Australia
China

Unit: mm

Input

Input Voltage Range	90-264VAC
Frequency Range	47-63Hz
Input Current	1.0A at 90VAC
Inrush Current	70A max at 240VAC cold start
Touch Leakage Current ^(max)	≤100μA at 264VAC

Environmental

Operating Temperature	0°C to 45°C
Storage Temperature	-20°C to 60°C
Operating Humidity	10% to 90% RH, non-condensing
Storage Humidity	5% to 90% RH
Operating Altitude	5,000m

General

Dimensions	88.5(L) 31.8(W) 65.6(H)mm
Weight	210g
MTBF	>100,000hrs MIL-HDBK-217 at 25°C
Isolation	4,000VAC Input to Output

Protection

Overload	120-200% rated output power, auto recovery
Over Voltage	120-150% rated output voltage input to reset
Short Circuit	Trip and restart (hiccup mode)

Safety Approvals

Safety Agency / Mark	Medical	ITE
CB	IEC60601-1 ANSI/AAMI ES60601-1	IEC62368-1
UL	CAN/CSA-C22.2 NO. 60601-1	UL62368-1
TUV Rheinland/Mark	EN60601-1	-
TUV Rheinland/GS	-	EN62368-1
CE	-	EN62368-1
FCC	-	FCC PART 15

EMC

Emissions	Medical	ITE
Conducted	IEC/EN 60601-1-2, CISPR 11	EN55032, CISPR32
Radiated	IEC/EN 60601-1-2, CISPR 11	EN55032, CISPR32
Harmonic Currents	EN61000-3-2, Class A	EN61000-3-2, Class A
Voltage Flicker	EN61000-3-3	EN61000-3-3
Immunity	IEC/EN 60601-1-2	EN55035, CISPR 35
ESD	EN61000-4-2	±15KV air, ±8KV contact
Radiated Immunity	EN61000-4-3	10V/m, 3V/m 80MHz - 2700MHz
EFT/Burst	EN61000-4-4	±2KV on AC port, ±1KV on signal ports
Surge ^(*)	EN61000-4-5	±4KV line to line (DM)
Conducted Immunity	EN61000-4-6	3Vrms, 6Vrms (0.15MHz-80MHz)
Magnetic Field	EN61000-4-8	30 A/m
Dips & Interruptions	EN61000-4-11	0%, 70%, 0% of UT

Others

Dielectric Withstand Voltage	4000VAC input to output
Insulation Resistance	10M Ohms, 500VDC input to output