

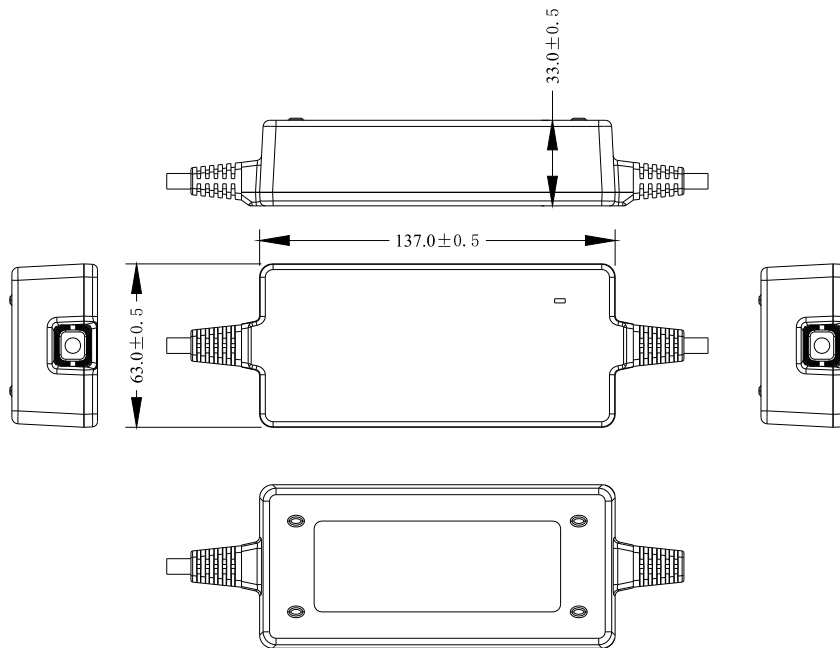
IP22

Product Features

- Meet medical & I.T.E. safety
- $\leq 0.8W$ standby power
- Inputs voltage(11.5-16Vdc)
- 19V-24V outputs, up to 120W


Models & Ratings

Model Number	Voltage ^(*)	Current	Rated Power	Ripple & Noise _{(max)^(*)(*)}	Voltage Tolerance	Line & Load Regulation	Efficiency (Min.)	Start Up Delay
UED120-XXXXYYSPA	19.0	0.01-6.32	120.00W	200mVpk-pk	±5%	Line: ±1% Load: ±5%	89.00%	≤3.5s
	19.1-20.0	0.01-6.00	120.00W	240mVpk-pk	±5%		89.00%	≤3.5s
	20.1-21.0	0.01-5.71	120.00W	240mVpk-pk	±5%		89.00%	≤3.5s
	21.1-22.0	0.01-5.45	120.00W	240mVpk-pk	±5%		89.00%	≤3.5s
	22.1-23.0	0.01-5.21	120.00W	240mVpk-pk	±5%		89.00%	≤3.5s
	23.1-24.0	0.01-5.00	120.00W	240mVpk-pk	±5%		89.00%	≤3.5s

Mechanical Details


Unit: mm

Notes

(*) Other options are available, please contact our sales representative for details.

Input

Input Voltage Range	11.5-16Vdc
Input Current	18A MAX.
Inrush Current	25A max at 11.5Vdc cold start

Environmental

Operating Temperature	-10°C to 40°C
Storage Temperature	-20°C to 80°C
Operating Humidity	10% to 95% RH, non-condensing
Storage Humidity	10% to 95% RH

General

Dimensions	137.0(L)x63.0(W)x33.0(H)mm
Weight	480g
MTBF	>200,000hrs MIL-HK8K-217 at 25°C

Protection

Overload	120-150% rated output power, auto recovery
Over Voltage	120-150% rated output voltage input to reset
Short Circuit	Trip and restart (hiccup mode)

Safety Standard

Safety Agency / Mark	Medical(Meet)	ITE(Meet)
CB	IEC60601-1	IEC62368-1
UL	ANSI/AAMI ES60601-1 CAN/CSA-C22.2 NO. 60601-1	UL 62368
TUV-mark	EN60601-1	EN62368-1

EMC

Emissions	Medical	ITE
Conducted	IEC/EN 60601-1-2, CISPR 11	EN55032
Radiated	IEC/EN 60601-1-2, CISPR 11	EN55032
Immunity	IEC/EN 60601-1-2	EN55035, CISPR 35
ESD	EN61000-4-2	±15kV air, ±8kV contact
Radiated Immunity	EN61000-4-3	3V/m 80MHz - 2.7GHz
Conducted Immunity	EN61000-4-6	3Vrms(0.15MHz-80MHz)